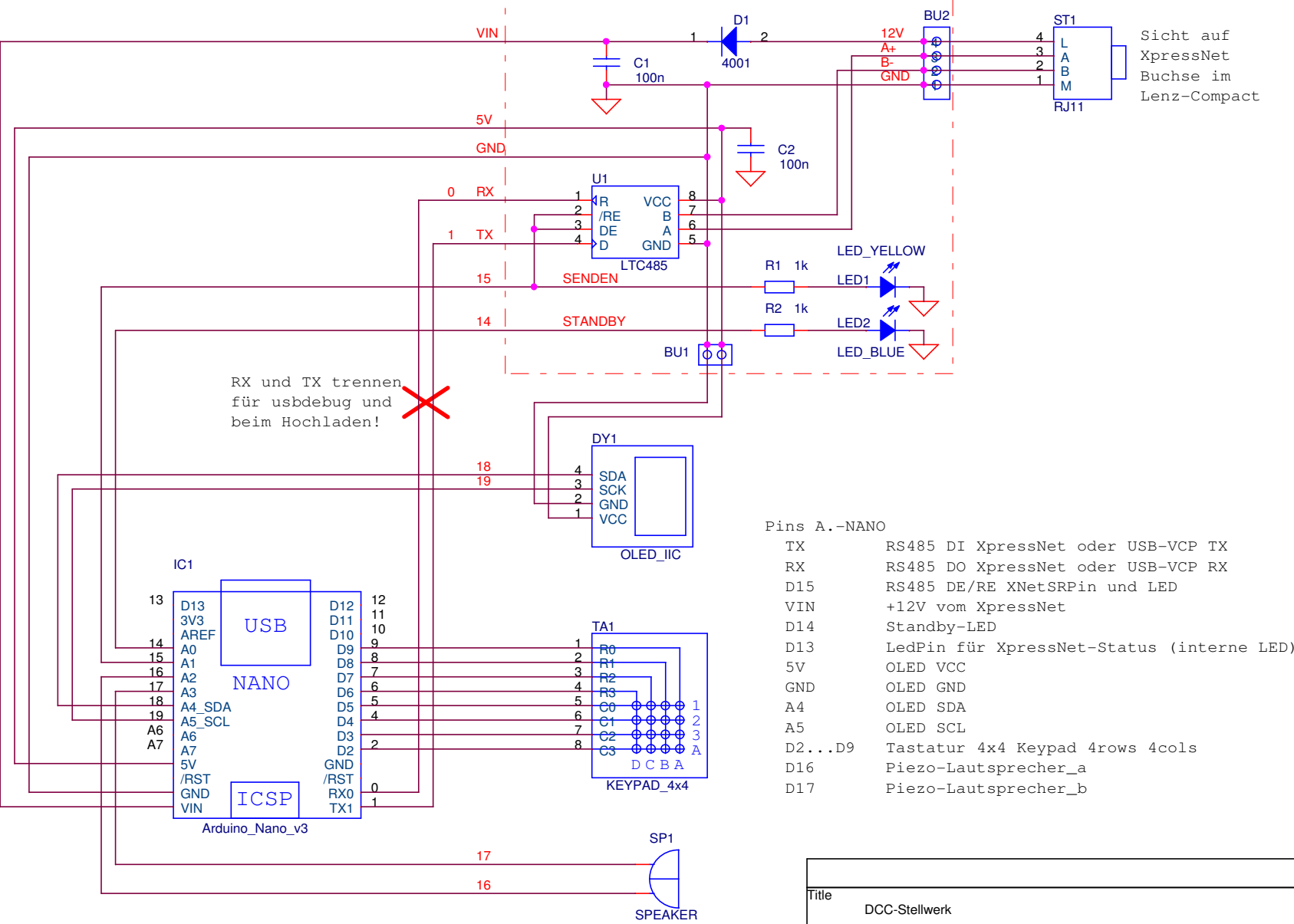


Lochrasterplatte



Pins A.-NANO

- TX RS485 DI XpressNet oder USB-VCP TX
- RX RS485 DO XpressNet oder USB-VCP RX
- D15 RS485 DE/RE XNetSRPin und LED
- VIN +12V vom XpressNet
- D14 Standby-LED
- D13 LedPin für XpressNet-Status (interne LED)
- 5V OLED VCC
- GND OLED GND
- A4 OLED SDA
- A5 OLED SCL
- D2...D9 Tastatur 4x4 Keypad 4rows 4cols
- D16 Piezo-Lautsprecher\_a
- D17 Piezo-Lautsprecher\_b

Title		
DCC-Stellwerk		
Size	Document Number	Rev
A4	www.gheinz.de	1
Date:	Saturday, April 09, 2022	Sheet 1 of 1